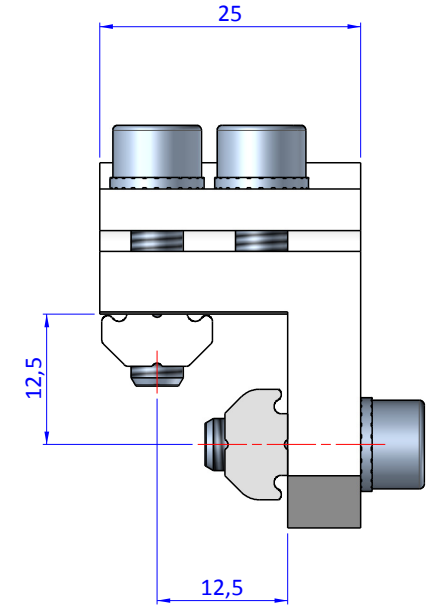
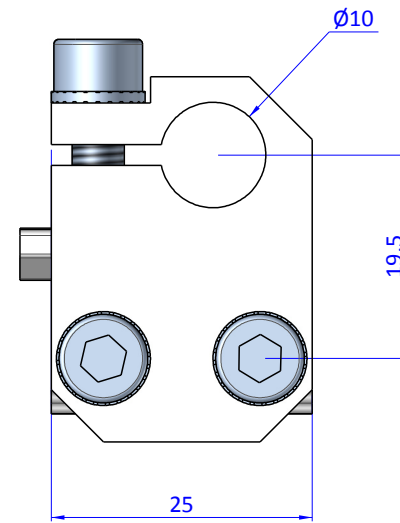
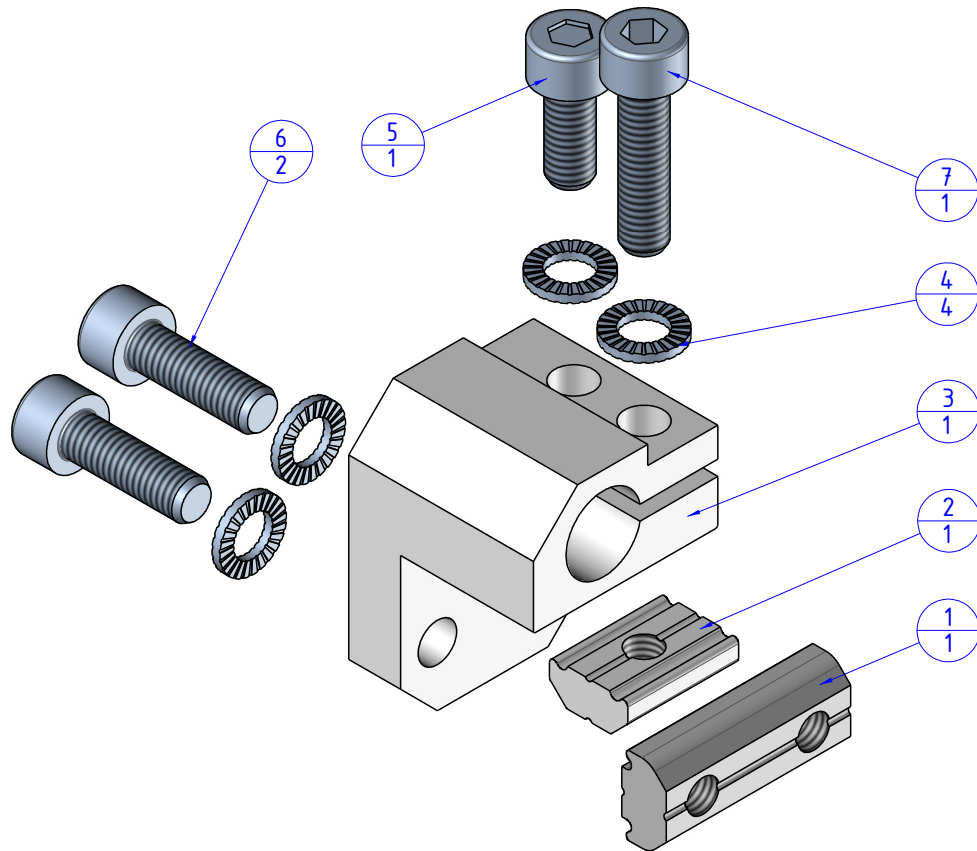


THE PROPERTY OF THE DRAWING IS ESTABLISHED BY LAW. IT IS FORBIDDEN TO PRODUCE OR SHOW IT TO THIRD PARTY, WITHOUT A WRITTEN AGREEMENT.

Item	Name	Q. ty
1	CA.GWP.5.15	1
2	CA.GWP.5U	1
3	KSW.10.X	1
4	R.5.SCH	4
5	V.TCE5x12	1
6	V.TCE5x16	2
7	V.TCE5x20	1



Format A3

UNI 936-76

		DESIGNED FROM		REVIEW
		FPSERVICES		A / 17
GENERAL TOLERANCE		DATE	WEIGHT	
UNI - ISO 2768		06/11/2018	0,056kg	
CLASSE f		CODE		
		CA.KSW.10.X		CA.KSW.10.X